

## Australian Mining Product and Services Pty Limited

### ▀ Cobra Head Flat Spray Nozzles

Cobra Head nozzles have many applications including:

- Wet screening • Ore washing • Cooling • Medium recovery
- Froth suppression • Conveyor belt cleaning
- Slimes Removal • Dust suppression

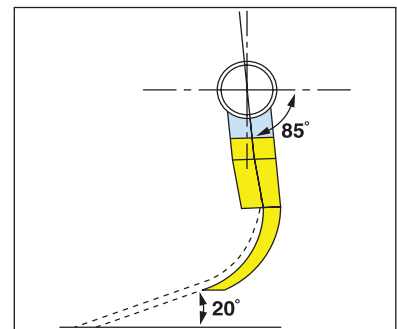
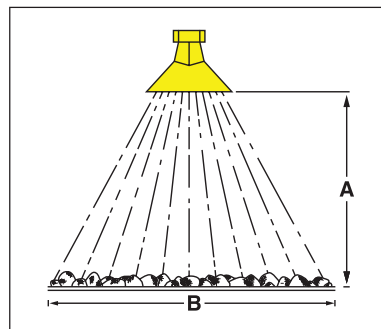
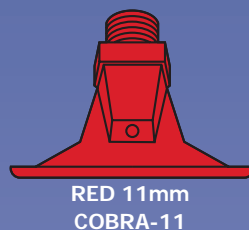
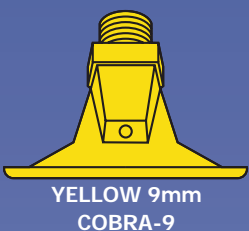
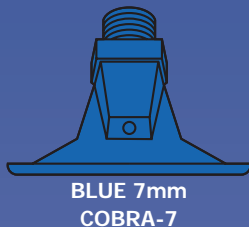
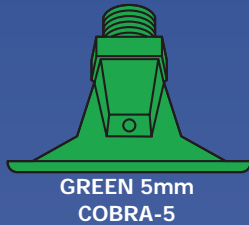
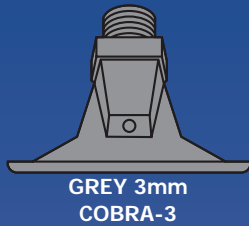
This range of nozzles is designed to handle fluctuating solid contents without blocking.

#### DESIGN FEATURES

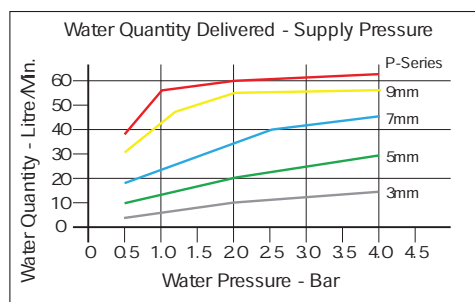
- Male connection: 3/4" BSP pipe socket
- Polyurethane construction
- Non blocking orifice sizes: 3, 5, 7, 9, 11mm (circular)
- Flow rates: see graph below
- Corrosion and Wear Resistant

#### SPRAY CHARACTERISTICS

- Spray pattern: Flat fan
- Dimensions: see table below
- Uniform water curtain with high operating efficiency



The P-Series nozzles operate with maximum efficiency in the 1.5 to 2.5 bar pressure range.



HEIGHT 'a' (mm)		200	300	400
SPRAY SIZE (ORIFICE)	PRESSURE (BAR)	OPERATING WIDTH OF SPRAY - 'b' (mm)		
3	1.5	400	500	700
	2.5	500	600	800
5	1.5	400	500	700
	2.5	500	600	800
7	1.5	350	450	500
	2.5	400	550	700
9	1.5	500	600	800
	2.5	600	700	1000
11	1.5	500	600	800
	2.5	600	700	1000

The data tables give a guide to the size and number of sprays and the optimum height and operating pressure. For most operations, the angle to install the spray is 20° as shown.